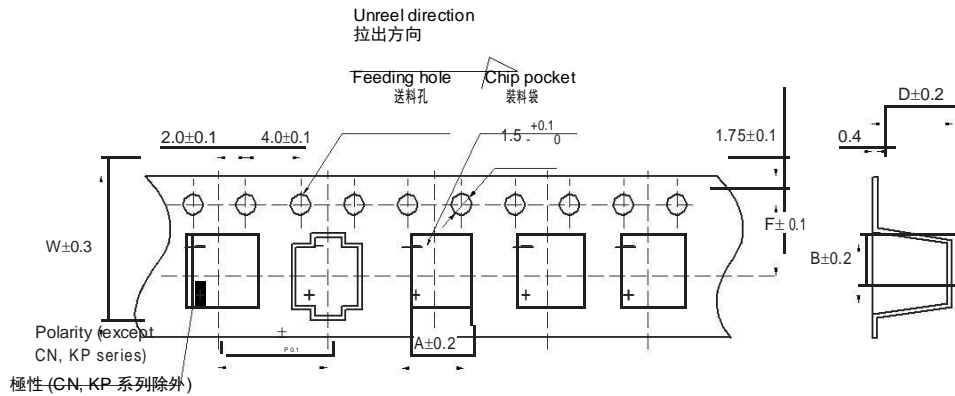


**TAPING SPECIFICATIONS 編帶標準**

□ For Chip Type Aluminum Electrolytic Capacitors 適用於貼片式鋁電解電容器

□ **Carrier Tape Dimensions 載帶尺寸**

z 4 ~ 10 (mm)

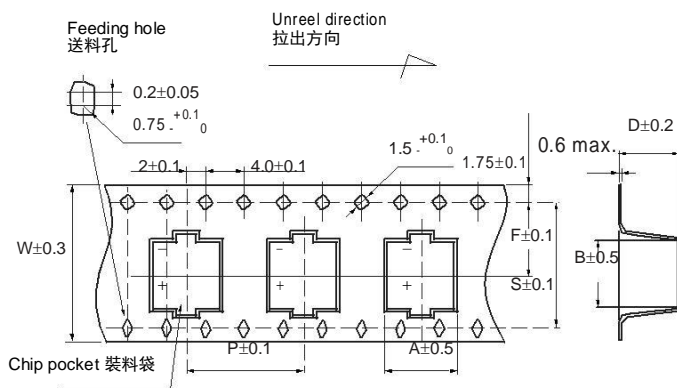


Dimension 尺寸表

(Unit: mm)

D · L	4*5.4	5*5.4	6.3*5.4	6.3*7.7	6.3*10.5	8*10.5	8*12.5	10*10.5/13.5
W	12.0	12.0	16.0	16.0	16.0	24.0	24.0	24.0
P	8.0	12.0	12.0	12.0	12.0	16.0	16.0	16.0
F	5.5	5.5	7.5	7.5	7.5	11.5	11.5	11.5
A	5.0	6.0	7.0	7.0	7.0	8.7	8.7	10.7
B	5.0	6.0	7.0	7.0	7.0	8.7	8.7	10.7
D	5.8/6.3	5.8/6.3	5.8/6.3	8.4	11.4	11.0	12.3	11.0/14.0

z 12.5 ~ 16 (mm)



Dimension 尺寸表

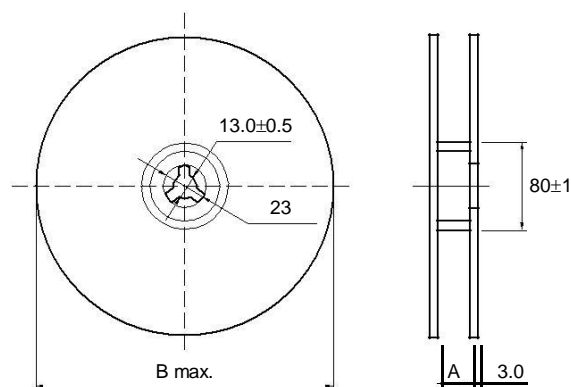
(Unit: mm)

D · L	12.5*13.5	12.5*16	16*16.5
W	32.0	32.0	44.0
P	24.0	24.0	28.0
F	14.2	14.2	20.2
A	14.0	14.0	17.5
B	14.0	14.0	17.5
D	14.0	16.5	16.8
S	28.4	28.4	40.4

**Note:** All design and specifications are for reference only and is subject to change without prior notice. If any doubt about safety for your application, please contact us immediately for technical assistance before purchase.

**注:** 以上所提供的設計及特性參數僅供參考，任何修改不作預先通知。如果在使用上有疑問，請在採購前與我們聯繫，以便提供技術上的協助。

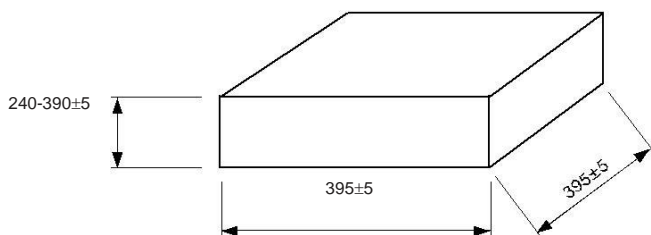
## □ Reel Dimensions 卷盤尺寸



(Unit: mm)

D · L	4*5.4	5*5.4	6.3*5.4/7.7/10.5	8*10.5/12.5	10*10.5	10*12.5/13.5	12.5*13.5/16	16*16.5
A±1	14	14	17	25.5	25.5	25.5	34.5	44
B (max.)	382	382	382	382	382	382	382	382

## □ Packaging Box 包裝箱



## □ Packaging Quantity 包裝數量

Size D · L (mm) 尺寸	Quantity/Reel (pcs) 數量/卷 (個)	Reels/Box 卷盤/箱	Quantity/Box (pcs) 數量/箱 (個)
4 * 5.4/5.8	2,000	10	20,000
5 * 5.4/5.8	1,000	10	10,000
6.3 * 5.4/5.8/7.7	1,000	10	10,000
6.3 * 10.5	750	10	7,500
6.3 * 11.5	500	10	5,000
8 * 6.5	500	10	5,000
8 * 10.5/12.5	500	10	5,000
10 * 10.5	500	10	3,500
12.5 * 13.5	200	5	1,000
12.5 * 16	200	5	1,000
16 * 16.5	125	4	500

**Note:** All design and specifications are for reference only and is subject to change without prior notice. If any doubt about safety for your application, please contact us immediately for technical assistance before purchase.

注：以上所提供的設計及特性參數僅供參考，任何修改不作預先通知。如果在使用上有疑問，請在採購前與我們聯繫，以便提供技術上的協助。

CAT.2018/V6